**NK10/16-TV-XL**

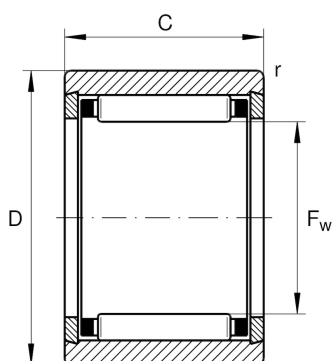
Needle roller bearing

Schaeffler ID:  
0507464990000

Needle roller bearings NK, light series

X-life

## Technical information

**Main Dimensions & Performance Data**

$F_w$	10 mm	Under roller diameter
$D$	17 mm	Outside diameter
$C$	16 mm	Width, outer ring
$C_r$	7,000 N	Basic dynamic load rating, radial
$C_{0r}$	7,800 N	Basic static load rating, radial
$C_{ur}$	1,330 N	Fatigue load limit, radial
$n_G$	29,500 1/min	Limiting speed
$n_{gr}$	28,500 1/min	Reference speed
	13.6 g	Weight

**Additional information**

$r_{min}$	0.3 mm	Minimum chamfer dimension
	G10X17X3	Sealing ring
	SD10X17X3	Sealing ring 2

**Temperature range**

$T_{min}$	-20 °C	Operating temperature min.
$T_{max}$	120 °C	Operating temperature max.